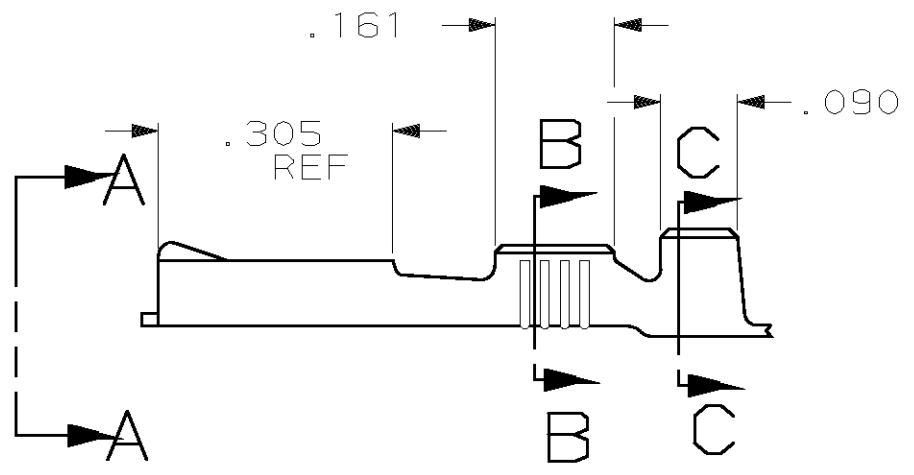
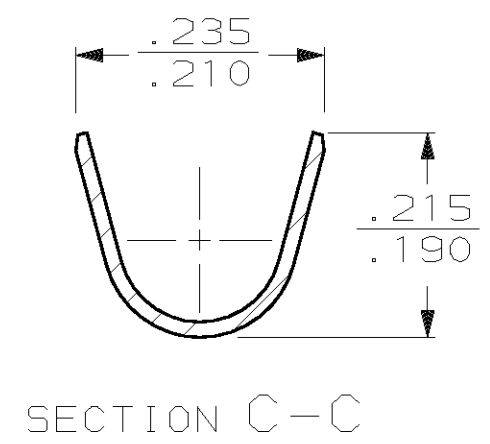
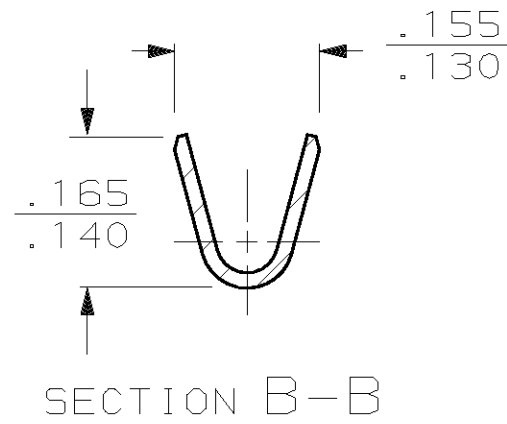
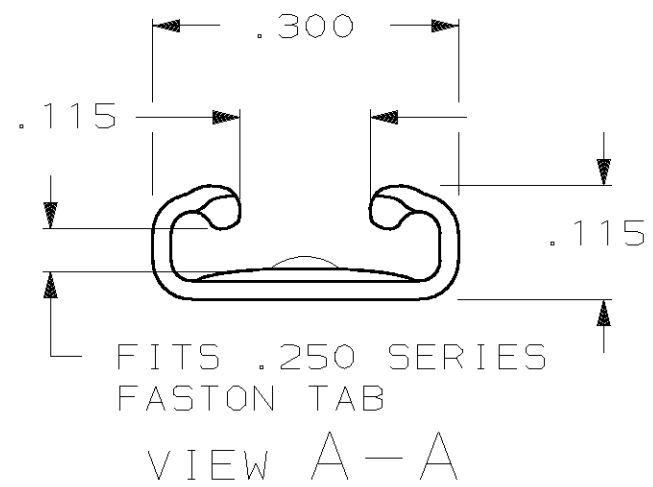
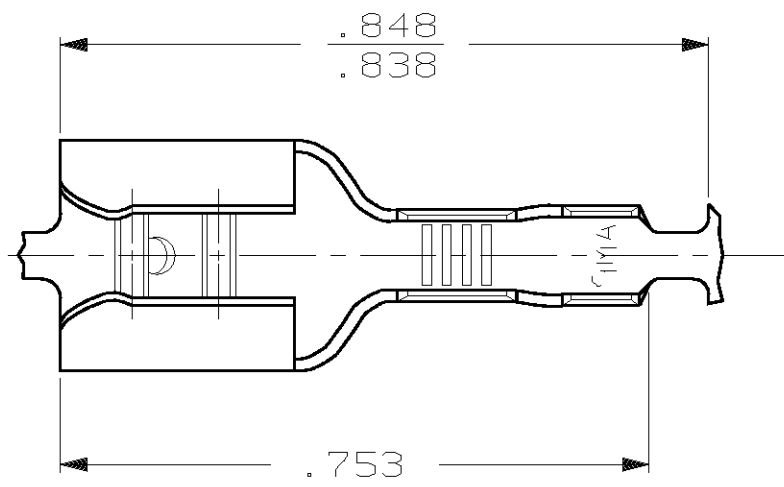


THIS DRAWING IS UNPUBLISHED. RELEASED FOR PUBLICATION ,19 .
 © COPYRIGHT 19 BY AMP INCORPORATED, HARRISBURG, PA. ALL INTERNATIONAL RIGHTS RESERVED. AMP PRODUCTS MAY BE COVERED BY U.S. AND FOREIGN PATENTS AND/OR PATENTS PENDING.

LOC	DIST	P	F	REVISIONS				
AF	50			ZONE	LTR	DESCRIPTION	DATE	APPROVED
					T	ADDED -6 PER OG3A-0370-01	22JUN01	JR/PD

- 1 CONTINUOUS STRIP ON REELS.
- 2 MATING TAB THK IS .032±.001
- 3 WIRE SIZE IS #18-#14 AWG.
- 4 INSULATION RANGE IS .120-.170 DIA.
- 5 PRELIMINARY - NOT FOR PRODUCTION
- 6 REDUCED PACKAGE QUANTITY



TIN	.016±.001 BRASS	6	542660-6
NICKEL	.016±.001 STEEL	5	42660-5
PRE TIN	.016±.001 BRASS		42660-4
TIN	.016±.001 BRASS		42660-2
	.016±.001 BRASS		42660-1

UNLESS OTHERWISE SPECIFIED DIMENSIONS ARE IN INCHES TOLERANCES ON:		DR 4/17/86		AMP INCORPORATED Harrisburg, Pa. 17105	
2 PL DEC ± -		JR RUTH			
3 PL DEC ± .015		CHK 4/17/86		NAME RECEPTACLE FASTON,™ .250 SERIES	
ANGLES ± -		G YETTER			
MATERIAL	SEE ABOVE	APPD 4/17/86	C MEYERS	SIZE	B
FINISH	SEE ABOVE	APPD 4/17/86	R KUZO	FSCM NO	00779
		PRODUCT SPEC		DRAWING NO	42660
		APPLICATION SPEC		SCALE	NTS
		WEIGHT		SHEET	1 OF 1